

Specification

Nominal Basket Diameter	8", 203.2mm
Nominal Impedance	4-Ohms
Power Rating	125 Watts
Resonance	453.41Hz
Usable Frequency Range	80Hz - 9kHz
Sensitivity	92
Magnet Weight	29.4 oz.
Voice Coil Diameter	1"

Thiele & Small Parameters

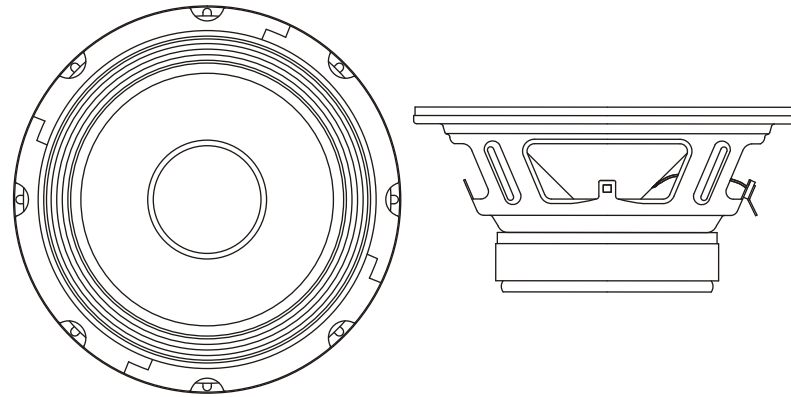
Resonant Frequency (fs)	79.5Hz
DC resistance (Re)	3.6 Ohms
Coil Inductance (Le)	0.44 mH
Mechanical Q (Qms)	12.44
Electromagnetic Q (Qes)	0.65
Total Q (Qts)	0.62
Compliance Equivalent Volume (Vas)	12.8 liters/0.45 ft ³
Mechanical Compliance of Suspension (Cms)	1.90mm/N
BL Product (BL)	7.63 T-M
Diaphragm Mass (Mmd)	19.2 grams
Maximum Linear Excursion (Xmax)	4.0mm
Surface Area of Cone (Sd)	0.0133 sqM

Mounting Information

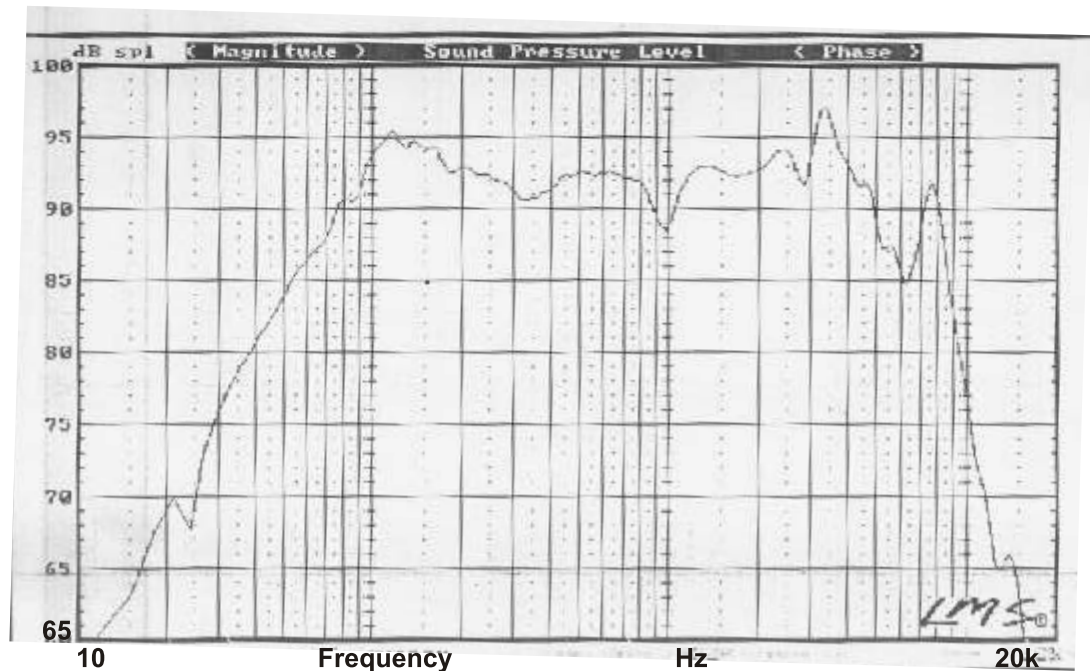
Recommended Enclosure Volume	
Sealed	5-7 liters/0.18-0.25 ft ³
Vented	16.7-25.5 liters/0.59-0.90 ft ³
Overall Diameter	8.20", 208.5mm
Cut Out Diameter	7.08", 180mm
Front Sealing Gasket	fitted as standard
Rear Sealing Gasket	fitted as standard
Mounting Holes Diameter	0.31" x 0.21" , 8.0mm x 5.5mm
Mounting Depth	3.60", 91.5mm

Materials of Construction

Copper voice coil
 Polyimide former
 Ferrite magnet
 Vented and extended core
 Stamped steel basket
 Paper cone
 Cloth surround
 Solid composition paper dust cap



Earthquake EQ8C4 Pro Audio Series



Earthquake Sound Corporation
 2727 McCone Avenue • Hayward, CA 94545 • phone: 800-576-7944
 fax: 510-732-1095 • www.earthquakesound.com