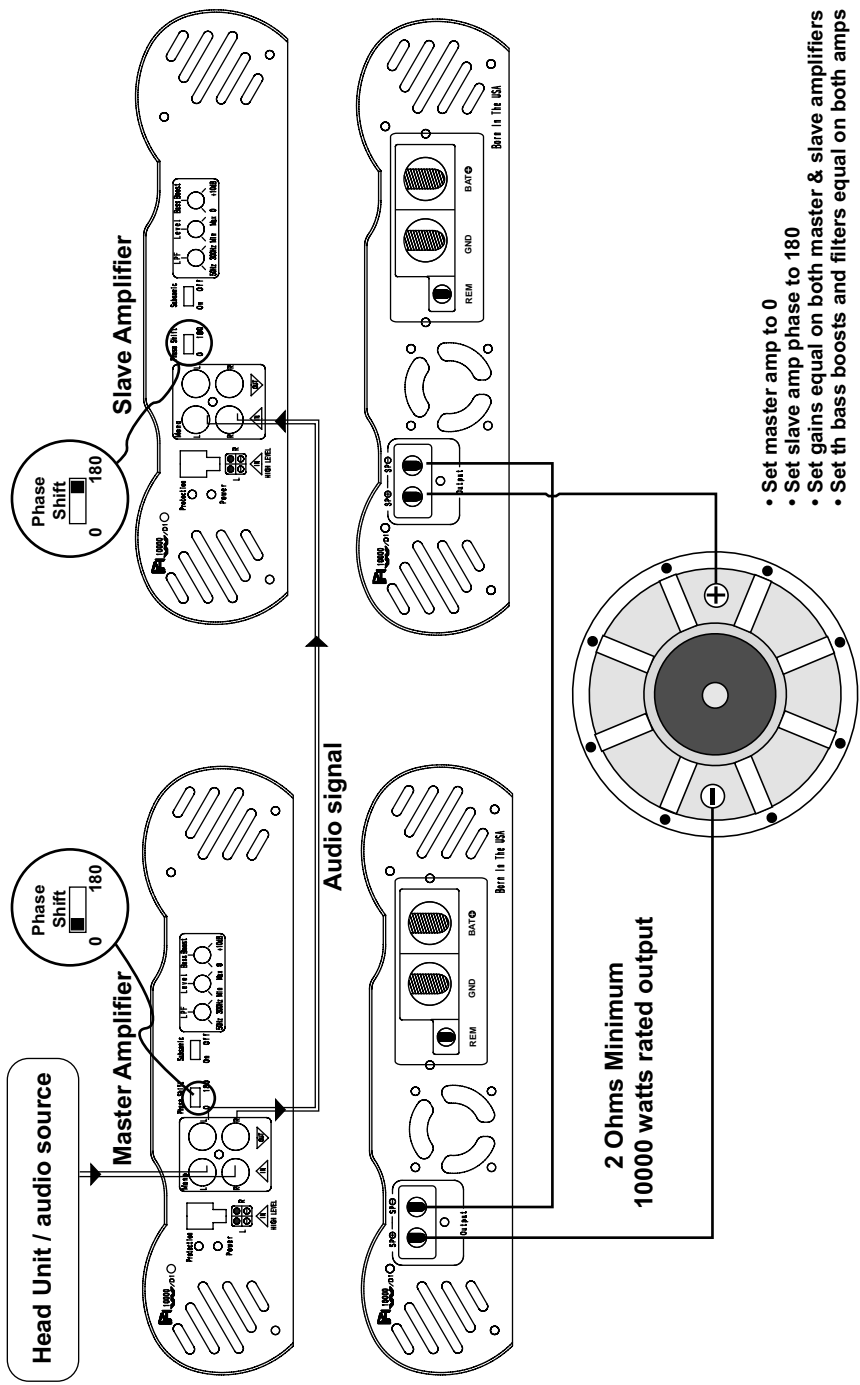


PH10000W/D1



- Set master amp to 0
- Set slave amp phase to 180
- Set gains equal on both master & slave amplifiers
- Set th bass boosts and filters equal on both amps