



SweetSpot SS-Series User's Manual



8" Angled In-Ceiling Speaker System



Earthquake Sound reserves the right to amend details of the specifications without notice.
Copyright © Earthquake Sound Corporation
Earthquake Sound Corporation • 2727 McCone Avenue Hayward CA, 94545
Phone: 510-732-1000 Fax: 510-732-1095

www.earthquakesound.com

Congratulations on your choice of SweetSpot Series Angled In-Ceiling Speaker systems, one of Earthquake's most valued in-ceiling speaker lines. With the proper installation and operation, SweetSpot speakers will provide a lifetime of durability and high-end performance.

It is important that you follow all installation and mounting instructions as well as recommendations in this manual closely and carefully to insure optimal performance, operation and longevity.

Advanced Features:

- Up to 20 degrees angled Sweet Spot
- Echo control R435 sound absorbing material
- Easy adjust Bass/Treble switch
- Easy Turn-N-Lock™ installation mechanisms
- Magnetically attached speaker grilles
- Elaborate crossover networks
- Gold plated spring loaded speaker terminals
- 1" silk dome swiveling neodymium tweeter
- High quality and precision polypropylene woofer with wide rubber surround for extended bass response and more piston area.

Painting Guidelines:

SweetSpot in-ceiling speakers are paintable and can accept virtually any type of paint. Spray and roller paint applications typically provide the best results. Be sure to remove the inner grille cloth prior to painting. When you are ready to begin painting, remember to shield the driver and tweeter from the paint. Let the paint dry completely prior to replacing the inner grille cloth.

Speaker Placement:

SweetSpot in-ceiling speakers are designed to be flush mounted in the walls or ceilings. To optimize their acoustics, you should follow these simple guidelines:

For best stereo reproduction, the speakers should be placed at an equal distance from your listening position and separated so that the angle between them is between 40° and 60° (please refer to figure 1 on page 3). The units should be placed with the tweeters near the ear level of the seated listener, as illustrated in figure 2 on page 3.

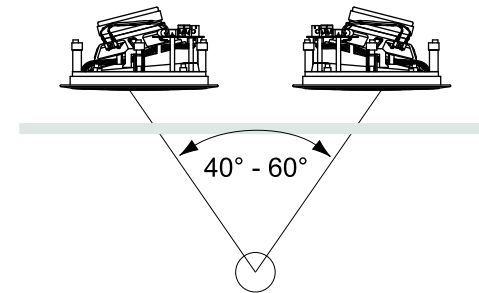


Figure 1

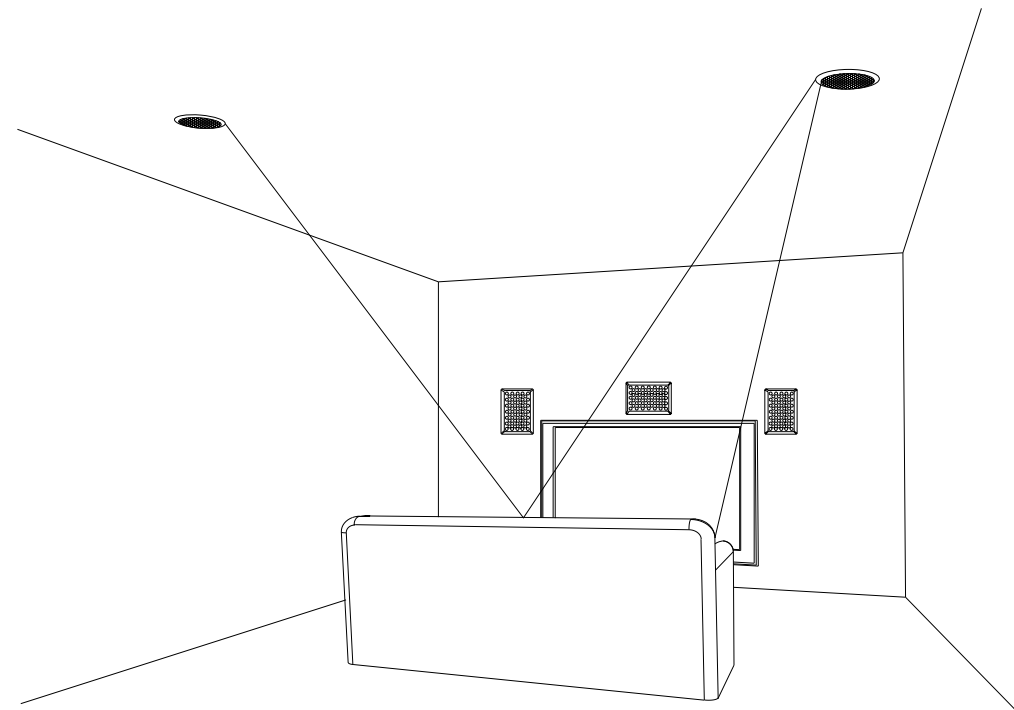
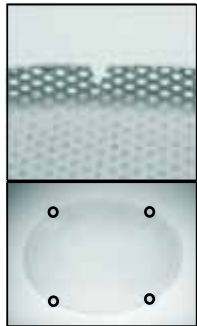
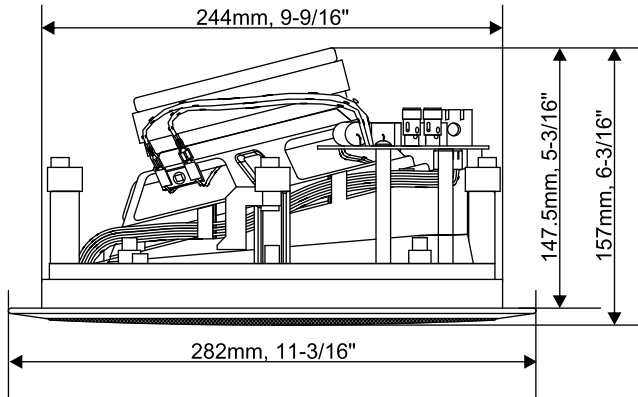


Figure 2

SS-82W Cut Out Info



In a few rare occasions, the grille's diameter may slightly vary due to the tension of the mounting screws. This may make it rather difficult to mount the grille.

To solve this issue, simply cut four (4) "V" notches to rim of the grille as illustrated in the side images. This will allow the grille to flex and be easier to mount.



WARNING

Please do not use power drill when tightening the mounting screws of the speaker.

Simply tighten the screws by hand using a screwdriver to prevent the mounting ears from snapping.

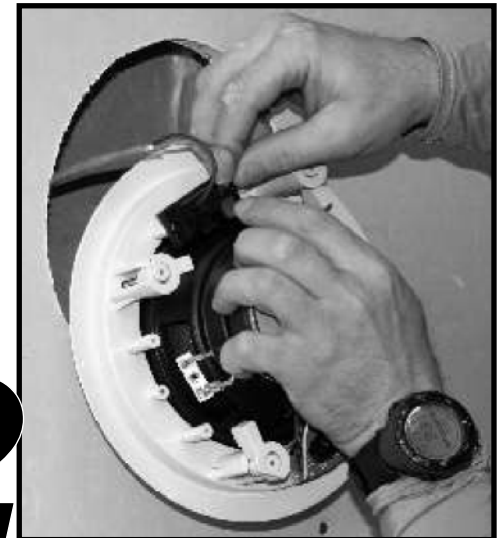
Cut the hole:
using the provided cut-
out template

1



Wire the speaker:
using the non-obtrusive
spring-loaded speaker
terminals

2



Mount the speaker:
by utilizing the
Turn-N-Lock™
installation
mechanisms

3



Specifications

SS-82W SPECIFICATIONS	
Frequency Response:	30Hz - 30kHz
Sensitivity:	91dB @ 1W/1M
Nominal Impedance:	8-Ohm
Power Handling:	30 - 300 Watts
Enclosure Material / Type:	Infinite baffle, flush with wall
Drive Components:	Two-way system using: One 3/4" silk dome compression tweeter and one 8" wide surround polypropylene cone woofer
Wire Gauge Recommended:	12
Weight:	7.25 lbs.
Grille Frame Diameter:	11-3/16" • 282mm
Cut Out Hole Diameter:	9-9/16" • 244mm
Mounting Depth:	5-3/16" • 147.5mm
Finish:	White / Paintable

WARNING:

These products are capable of generating high sound pressure levels. You should exercise caution when operating these speakers. Long term exposures to high levels of sound pressure will cause permanent damage to your hearing. Sound pressure levels exceeding 85dB can be dangerous with constant exposure, set your audio system to a comfortable loudness level. Earthquake Sound Corporation does not assume liability for damages resulting from the direct use of Earthquake speakers , and urges users to play volume at moderate levels.

