

**FEATURES**

Poly-ether draw surround with thick single layer for longer life and max excursion

Edge reinforced inverted dust cap for lower cone distortion

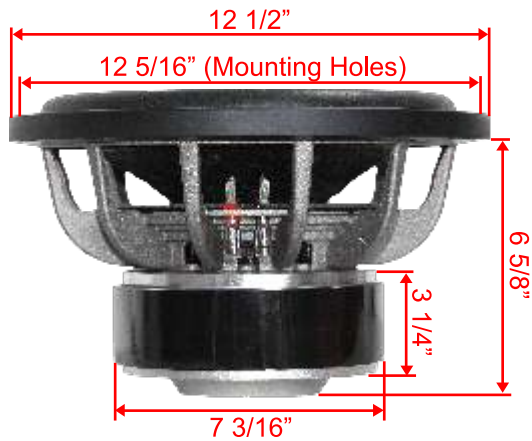
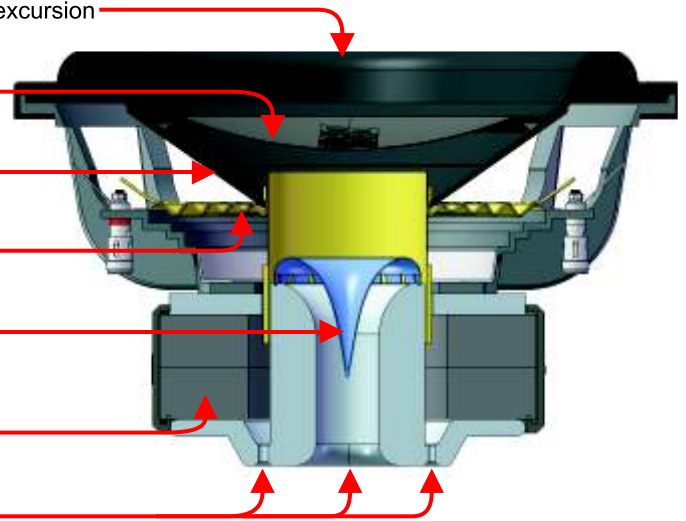
3mm stiff non-pressed fiber cone for faster response and lighter mass

MAX OD spider for more spider area and more linear spring constant

Patented TCT (Turbo Cooled Technology) forced cooled motor—  
in with the cold air and out with the hot air

Super thick motor to assist long excursion – 2" thick

PBP (Perforated Back Plate) that circulate cold air into the gap



Upon its release, the Magma toppled DB drag record one by one like a bowling ball rolling through the lane. For over 12 years, the Magma reigned over the competitions in sound quality power, and accuracy. While Magma performance pushed the boundaries, the newly released Magma 12X ripped 'em apart.

**MSRP: \$399.00**



SUBWOOFER:	MAGMA12X
Free Air Resonance (Fs):	23.8 Hz
Electrical "Q" (Qes):	0.642
Mechanical "Q" (Qms):	1.641
Total Speaker "Q" (Qts):	.461
Equiv. Compliance (Vas):	2.58ft <sup>3</sup> 73.27 liters
Linear Excursion:	3 in 38 mm
Efficiency (1W/1m):	83.7 dB SPL
Effective Piston Area (Sd):	81in <sup>2</sup> 0.0053m <sup>2</sup>
DC Resistance (Re):	5.8Ω
Nominal Impedance:	Dual 4Ω
Power Handling (continuous):	600W
Mounting Depth:	6 5/8" 170 mm
Mounting Hole Diameter:	11 1/8" 283 mm
Driver Displacement:	0.080ft <sup>3</sup> 2.4 liters