



Expanding on Earthquake's lineup of MiniMe powered subwoofers, the all new MiniMe DSP FF-12 utilizes advanced Class D circuitry with over 90% efficiency plus the added benefits of DSP control through mobile devices. Complicated and professional room tuning is now made possible right at your finger tips through a mobile app allowing the user to customize the MiniMe DSP FF-12 exactly to the room that it is placed in.

In order to optimize sound and clarity of a home theater subwoofer, it must be tuned properly to its environment. Through an automated room correction process that the iWoofers™ Pro app offers, you will receive the optimal performance that you deserve and achieve maximum amount of SPL with a more linear response that is tailored to your listening preferences. Up to a 48dB/octave crossover is also available within the application for a steep frequency cutoff.

With a durable polyurethane finished enclosure and sealed front firing design, the MiniMe DSP FF-12 can be used as your typical floor standing subwoofer or special applications where home AV integrators need to hide it away inside custom-made AV cabinetry.



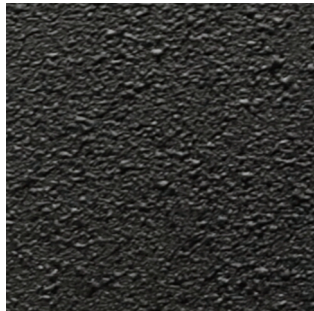
FEATURES

- Advanced 600 Watts Class D amplification
- DSP control through iWoofers™ mobile app
- 12-inch long throw active driver
- Sealed front firing enclosure design
- auto signal sensing turn on and standby mode
- Sub operation switch for different ranges
- Durable black polyurethane finish
- Operation status LED indicator
- Low level RCA inputs and outputs
- 0-180° phase shift selector
- Selective variable crossover
- Remote and remote eye included
- Auto room correction (iWoofers™ Pro only)
- SHS (Sub-harmonic Synthesizer)
- Can be used in floor standing applications or custom-made home AV cabinetry designs.

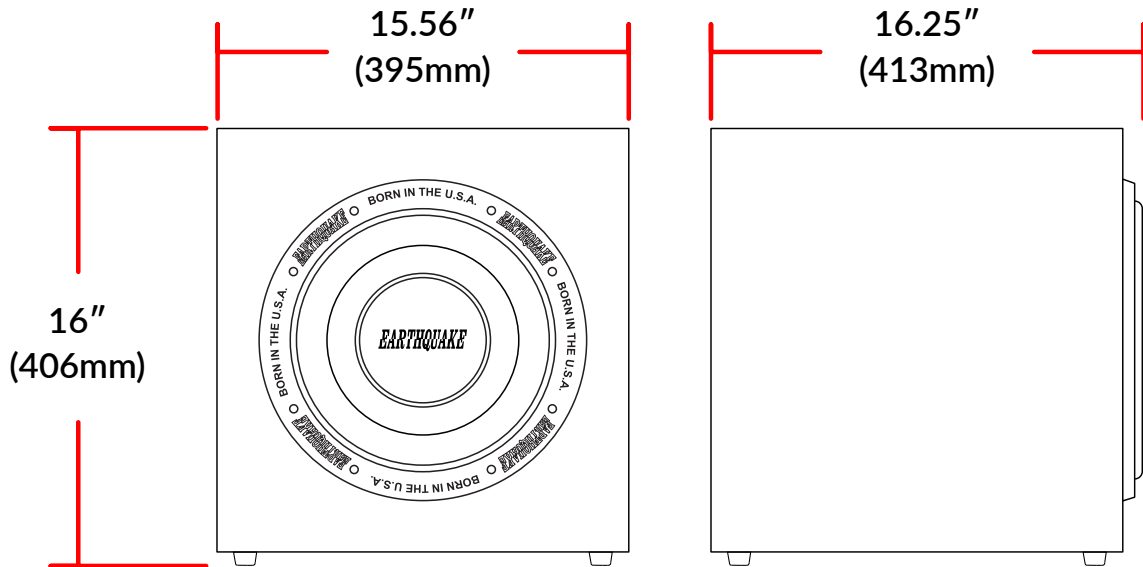


SPECIFICATIONS

MODEL	DSP P-12
Woofer Size	12" Active
Power Handling	600 Watts Max
Frequency Response	18-115Hz
Crossover Frequency	40-160Hz
Enclosure Type	Sealed Front Firing
Enclosure Finish	Black polyurethane
Dimensions (HxWxD) includes grilles, knobs, and feet	16" x 15.56" x 16.25" 406mm x 395mm x 413mm



Black Polyurethane Finish



MSRP:
MiniMe DSP FF-12
\$1,399.00