

HOME AUDIO INSTALLATION MADE EASY

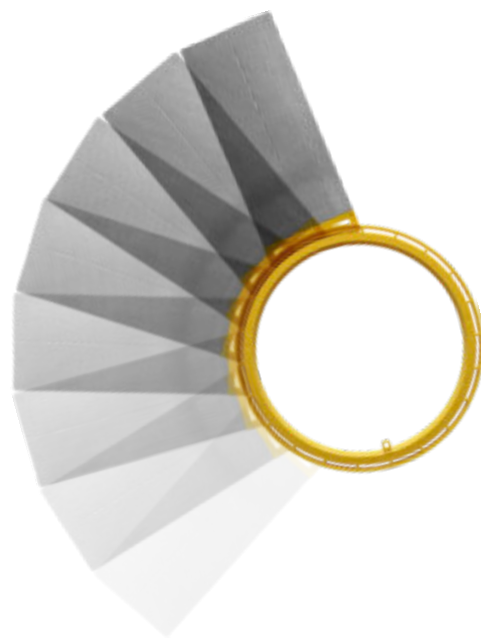
Earthquake Sound's second version rough-in kits offer extreme versatility for the installation of **all Earthquake 6.5 and 8 inch in-wall/in-ceiling speakers**. Each rough-in kit is designed to expedite home audio installation during new construction with guaranteed customer satisfaction. Flexible and straightforward installation is made possible with the

extended anti-rust aluminum snap-on dog-ears and rough-in mounting rings. Each perforated aluminum dog-ear piece can be trimmed and positioned onto the mounting bracket 360 degrees for the utmost in versatility and either stapled, nailed, or screwed easily into ceiling joists providing a reliable and secure setup within a matter of minutes.

RK-C6 v2



RK-C8 v2



360° Wing Positioning

Features

- Extremely quick install
- Easy for drywall installers to spot and cut around
- Anti-rust aluminum dog-ears for more installation flexibility
- Compatible with all Earthquake ceiling speakers
- 360° dog-ear positioning for mounting versatility

In The Box

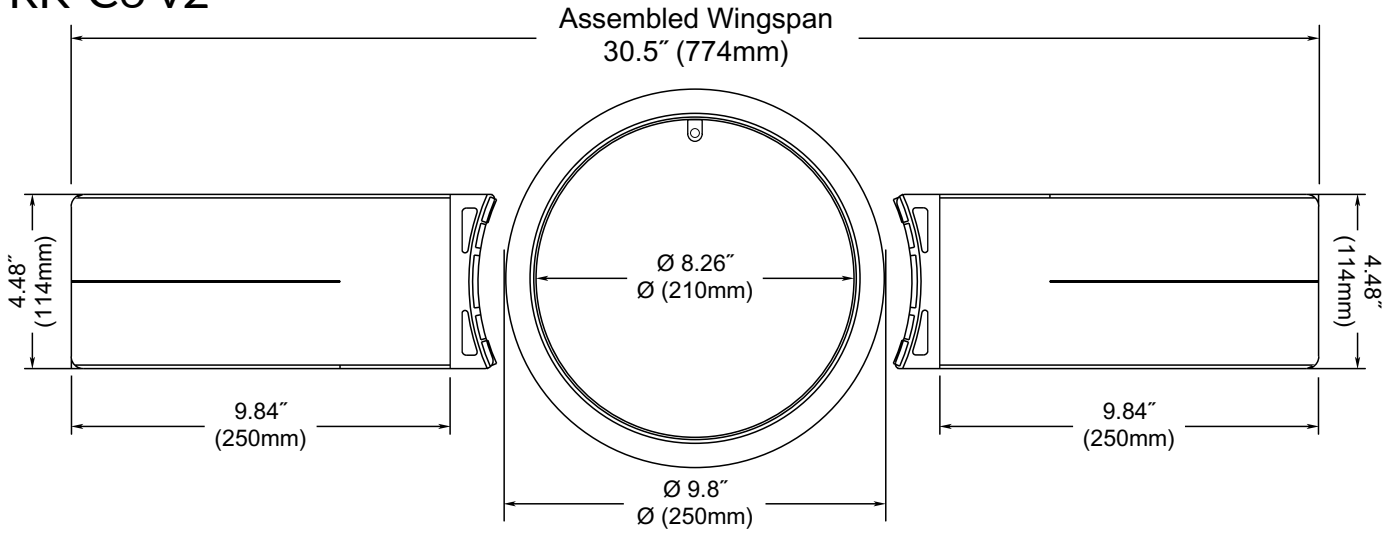
- x2 Plastic speaker mounting bracket rings
- x4 Perforated anti-rust aluminum mounting wings

RK-C6 v2 Rough-In Kit
MSRP: \$40.00/PAIR

RK-C8 v2 Rough-In Kit
MSRP: \$49.00/PAIR

SPECIFICATIONS

RK-C6 v2



RK-C8 v2

