

# EARTHQUAKE® TR-12P TRUCK BOX

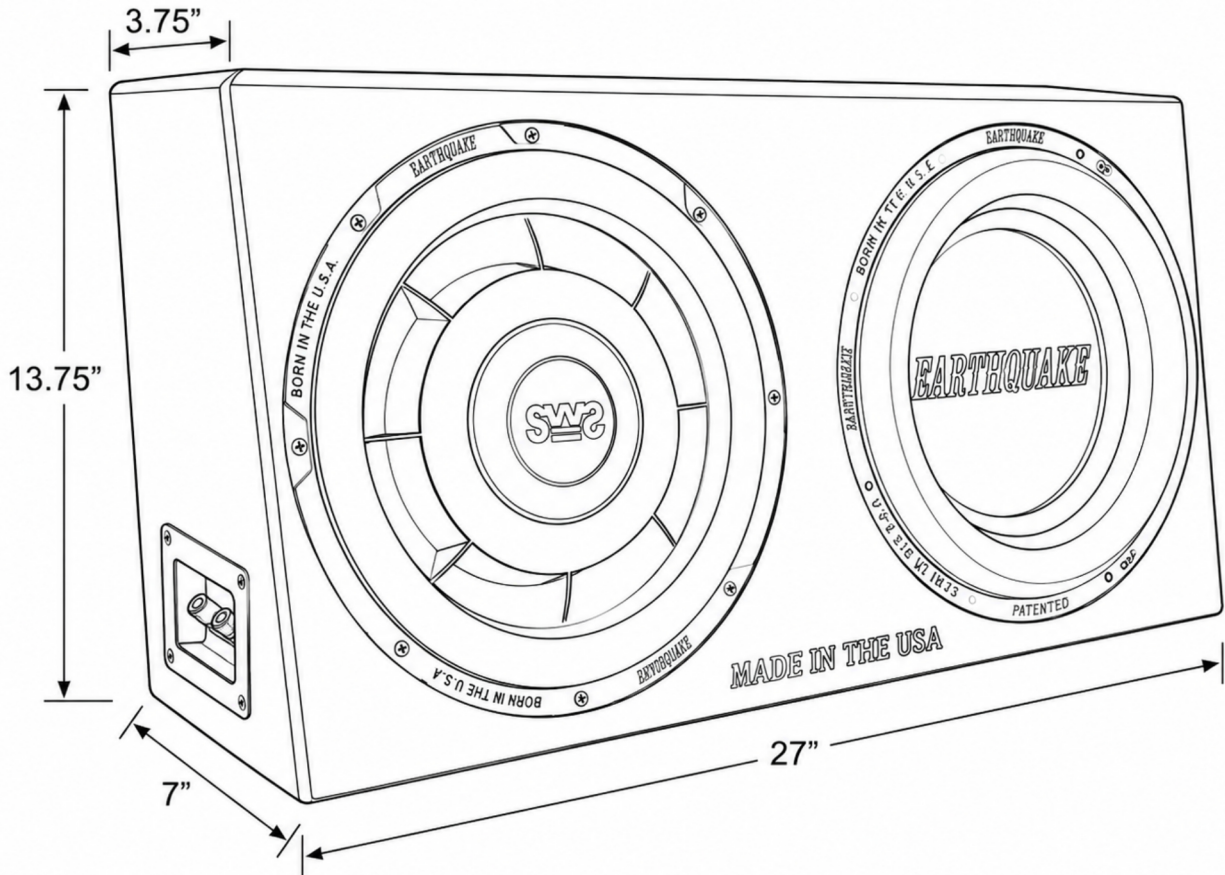


Introducing the **TR-12P TRUCK BOX**, a compact, high-performance bass solution engineered specifically for today's trucks and space-constrained vehicle installations. Featuring Earthquake Sound's acclaimed **SWS-12X** shallow-mount subwoofer paired with the **SLAPS-M12 V3** passive radiator, the TR-12P delivers deep, powerful bass from an enclosure designed to fit where traditional subwoofer systems cannot.

By combining the high-excursion performance of the SWS-12X with the enhanced low-frequency extension of the SLAPS passive radiator, the TR-12P produces impressive output, exceptional musical accuracy, and hard-hitting bass without sacrificing valuable cabin or cargo space. Whether you're upgrading a daily driver or building the ultimate truck audio system, the TR-12P offers the perfect balance of performance, efficiency, and installation flexibility.

- A patented SWS-12X ultra-shallow subwoofer
- Less than 3 inches of mounting depth
- Up to 2 inches peak-to-peak woofer excursion
- An M12 dual-suspension passive radiator
- Up to 3 inches peak-to-peak passive-radiator movement
- System tuning extending below 20 Hz
- Up to 6 dB of added low-frequency output near tuning
- Reduced pressure-related distortion and reflection inside shallow enclosures

# DIMENSIONS AND SPECIFICATIONS



**SWS-12X**  
Shallow Subwoofer

	Speaker Diameter	12"
	Mounting Depth	3"
	Cutout Hole	11-3/8"
	Weight	13 lbs
	Voice Coil Diameter	2.5"
	Power Rating RMS	300W
	Power Rating MAX	600W
	Revc	3.76 Ohms



**SLAPS-M12 V3**  
Passive Radiator

	Overall Diameter	12-3/8"
	Cutout Diameter	11-3/8"
	Mounting Depth	2-1/4"



**Terminal Cup**  
Connection Plate

	Terminals	4 Ohm
	Power Rating RMS	300W