

Earthquake Sound Corporation has recently launched its latest product, the Supernova MKVII DSP, which is the most powerful subwoofer in the Supernova series. With its patented IQ technology, this home theater subwoofer can deliver over 1000W RMS into a 2-Ohm load, ensuring maximum power output with minimal heat generation.

The MKVII DSP has been designed with advanced DSP processing capabilities, similar to the MiniMe DSP series. It offers unparalleled control and sound quality, allowing users to achieve professional-level tuning results with

features like active room correction functions, 25 bands of equalization, continuous phase control, and up to 48dB/Octave crossover. Users can easily adjust the bandwidth by sliding their finger up or down on a mobile device, while the slope can be adjusted by sliding their finger sideways. The MKVII DSP amplifier comes equipped with genuine room correction functions that consider reflections, refractions, arrival, and equalization, making it a complete DSP solution that ensures optimum acoustic integration into any room.



MKVII DSP - THE STANDARD OF HOME THEATER

DSP CONTROL

Experience the ultimate in room tuning with the MKVII DSP and innovative mobile app. Achieve the perfect acoustic integration for your room with automated room correction and gain complete control over your audio. The result is a customized, high-performance audio experience that delivers maximum SPL and a more balanced response for your home theater system.

SLAPS PASSIVE ADVANTAGE

Earthquake Sound's Supernova MKVII DSP is equipped with SLAPS passive radiator technology, providing unrivaled LFE output with ease. Its unique design offers additional bass at sub-harmonic levels, reducing amplifier load and increasing efficiency. Unlike traditional subwoofers, Earthquake subwoofers are equipped with SLAPS that enable the active driver to move without compression, delivering a deeper, dynamic, and hard-hitting bass response without any irritating port noise distortion. Elevate your home theater experience with Earthquake Sound SLAPS technology and hear the difference for yourself.

PREMIUM ACTIVE DRIVER

Experience exceptional low frequency response with Earthquake's latest innovation, the MKVII DSP. The intelligent design of MAGMA-X active driver, equipped with an overbuilt motor structure, ensures high excursion and full electrical control through the amplifier. The woofer's reactive electromagnetic coupling keeps it free of compression and mechanical damp-

ening. The device features a thick, wide edge surround and super spider, allowing for huge excursion. The driver's mechanically unhindered and electrically controlled movement results in an unprecedented dynamic capability.

BALANCED XLR INPUT

The fully balanced XLR input can be used in cases when the distance between the MKVII DSP and the audio source is excessive and susceptible to noise interference. Use the selector switch between the RCA and XLR inputs to select the desired input method.

OTHER FEATURES

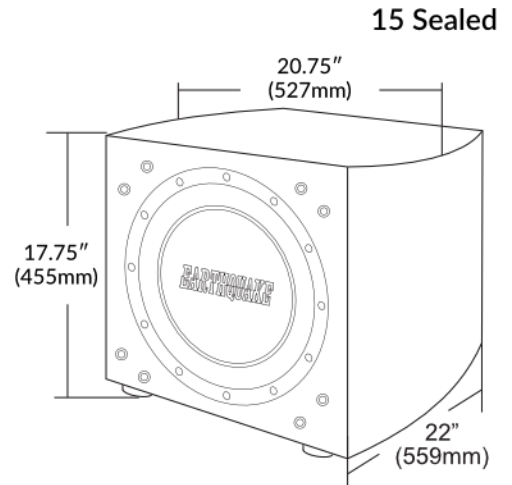
- 1000W RMS / 1500W Peak Dynamic
- High-efficiency Class D amplifier
- Selective variable crossover
- Auto signal sensing turn on & standby mode
- Balanced XLR inputs and output
- Unbalanced RCA inputs with Mono DSP outputs
- In app 12/24/48 dB/octave crossover
- Up to 25 bands of equalization
- In app auto room correction wizard
- Sub-harmonic synthesizer (SHS)
- High gloss black piano finish
- Remote, remote eye, power cable, and grilles included

SUPERNOVA MKVII DSP SPECIFICATIONS

MODEL	MKVII DSP 15S
Enclosure Type	Sealed Front Firing
Amplifier Power	1000W RMS, 1500W MAX
Drivers	15" MAGMA-X Active Driver
Frequency Response	14Hz-150Hz
Crossover Frequency	40Hz-160Hz
Inputs/Outputs	Low Level RCA Inputs & Outputs Balanced XLR Input Balanced XLR Output (Mono DSP)
Enclosure Finish	Black Piano

Dimensions include grilles, amplifier, and feet

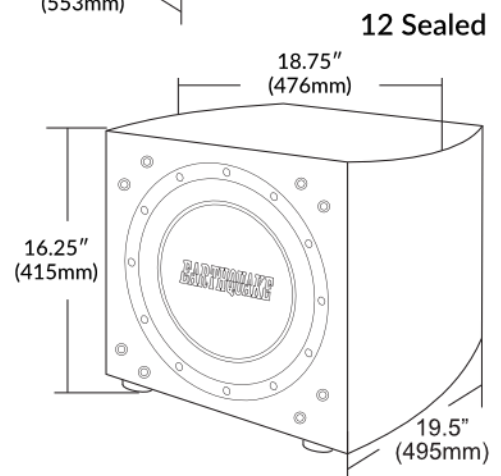
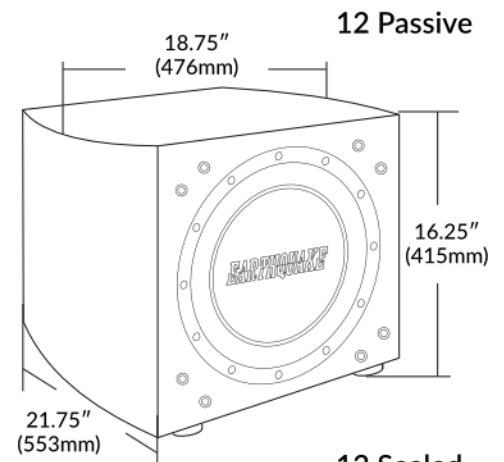
MKVII DSP 15S
MSRP: \$3099.00



MODEL	MKVII DSP 12P & 12S
Enclosure Type	Sealed Front Firing Ported with SLAPS Passive
Amplifier Power	1000W RMS, 1500W MAX
Drivers	12" MAGMA-X Active Driver 12" SLAPS Passive Driver
Frequency Response	15Hz-155Hz
Crossover Frequency	40Hz-160Hz
Inputs/Outputs	Low Level RCA Inputs & Outputs Balanced XLR Input Balanced XLR Output (Mono DSP)
Enclosure Finish	Black Piano

Dimensions include grilles, amplifier, and feet

MKVII DSP 12P | **MKVII DSP 12S**
MSRP: \$2899.00 | **MSRP: \$2699.00**



Earthquake Sound Corporation

2727 McCone Avenue, Hayward, CA 94545 • www.earthquakesound.com • 510-732-1000

©2025 Earthquake Sound Corporation

All copyrighted, trademarked, and patented elements mentioned herein are the sole property of Earthquake Sound Corporation.