

Specification

Nominal Basket Diameter	6-5/8", 169.5mm
Nominal Impedance	8-Ohms
Power Rating	60 Watts
Resonance	377Hz
Usable Frequency Range	377Hz - 5kHz
Sensitivity	93.2
Magnet Weight	37.8 oz.
Voice Coil Diameter	1 3/8", 30.5mm

Thiele & Small Parameters

Resonant Frequency (fs)	377.331Hz ±15%
DC resistance (Re)	6.5 Ohms
Coil Inductance (Le)	278.353mH @ 1kHz
Mechanical Q (Qms)	4.122
Electromagnetic Q (Qes)	1.720
Total Q (Qts)	1.214
Compliance Equivalent Volume (Vas)	436.075mLtr/0.015 ft3
Mechanical Compliance of Suspension (Cms)	16.905mm/N
BL Product (BL)	9.711 T-M
Diaphragm Mass (Mmd)	9.624 grams
Maximum Linear Excursion (Xmax)	0.2mm
Surface Area of Cone (Sd)	134.782 sqM

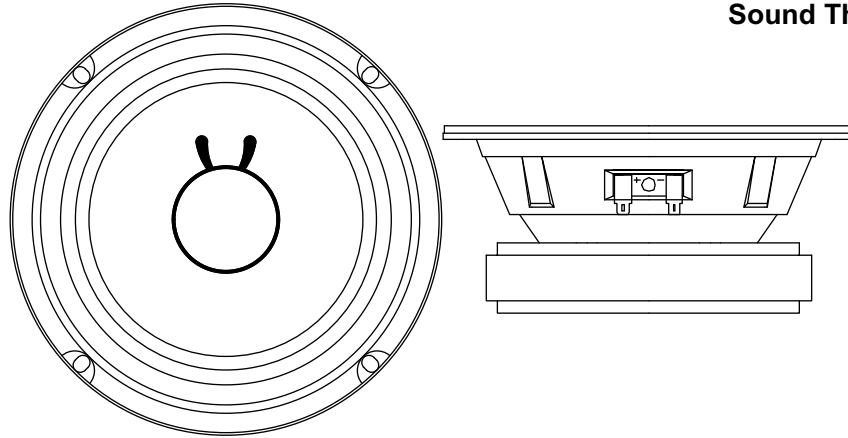
Mounting Information

Recommended Enclosure Volume	
Sealed	
Vented	
Overall Diameter	6-5/8", 169.5mm
Cut Out Diameter	5-5/8", 142mm
Front Sealing Gasket	fitted as standard
Rear Sealing Gasket	fitted as standard
Mounting Holes Diameter	0.27" x 0.21" , 7.0mm x 5.5mm
Depth	2-7/8", 71.7mm

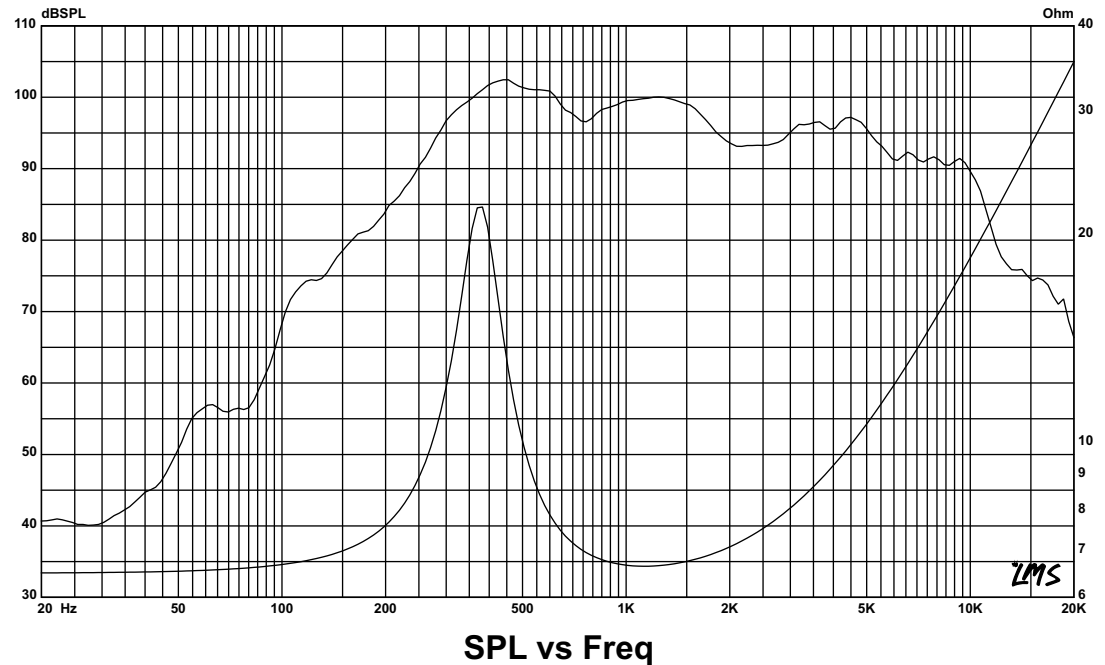
Materials of Construction

Copper voice coil
Polyimide former
Ferrite magnet
Vented and extended core
Stamped steel basket
Paper cone
Cloth surround
Solid composition paper dust cap

EARTHQUAKE
SOUND
Sound That Will Move You



Earthquake EQ6S8 Pro Audio Series



Earthquake Sound Corporation
2727 McCone Avenue • Hayward, CA 94545 • phone: 800-576-7944
fax: 510-732-1095 • www.earthquakesound.com