

## Specification

Nominal Basket Diameter	12-1/4", 310 mm
Nominal Impedance	8-Ohms
Max Power Rating	400 Watts
Resonance	319 Hz
Usable Frequency Range	280 Hz - 6 kHz
Sensitivity	97 dB (2.83V/1M)
Magnet Weight	50 oz.
Voice Coil Diameter	1.97", 50 mm

## Thiele & Small Parameters

Resonant Frequency (Fs)	319 Hz
DC resistance (Re)	6.8 Ohms
Coil Inductance at Fs (Lces)	1.179 mH
Mechanical Q (Qms)	5.72
Electromagnetic Q (Qes)	2.88
Total Q (Qts)	1.91
Compliance Equivalent Volume (Vas)	--
Mechanical Compliance of Suspension (Cms)	--
BL Product (BL)	--
Diaphragm Mass (Mmd)	--
Maximum Linear Excursion (Xmax)	4.0mm
Surface Area of Cone (Sd)	--

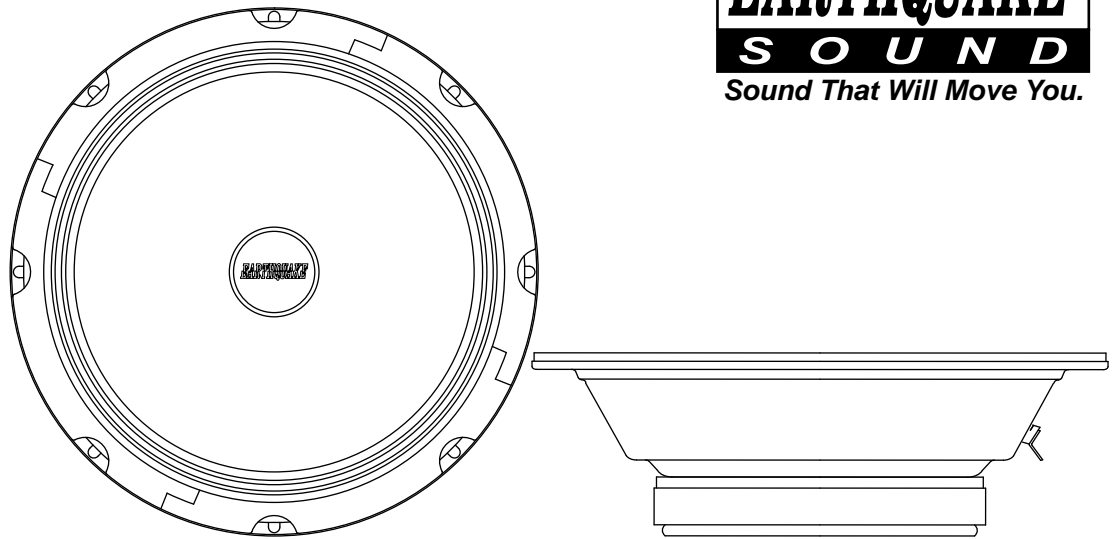
## Mounting Information

Recommended Enclosure Volume	
Sealed	
Vented	1.0-2.1 ft <sup>3</sup> , 28.3-59.5 liters
Overall Diameter	12-1/4", 310 mm
Cut Out Diameter	11-1/16", 281 mm
Front Sealing Gasket	fitted as standard
Rear Sealing Gasket	fitted as standard
Mounting Holes Diameter	5/16" x 3/8", 7 mm x 9 mm
Mounting Depth	4-9/16", 116 mm

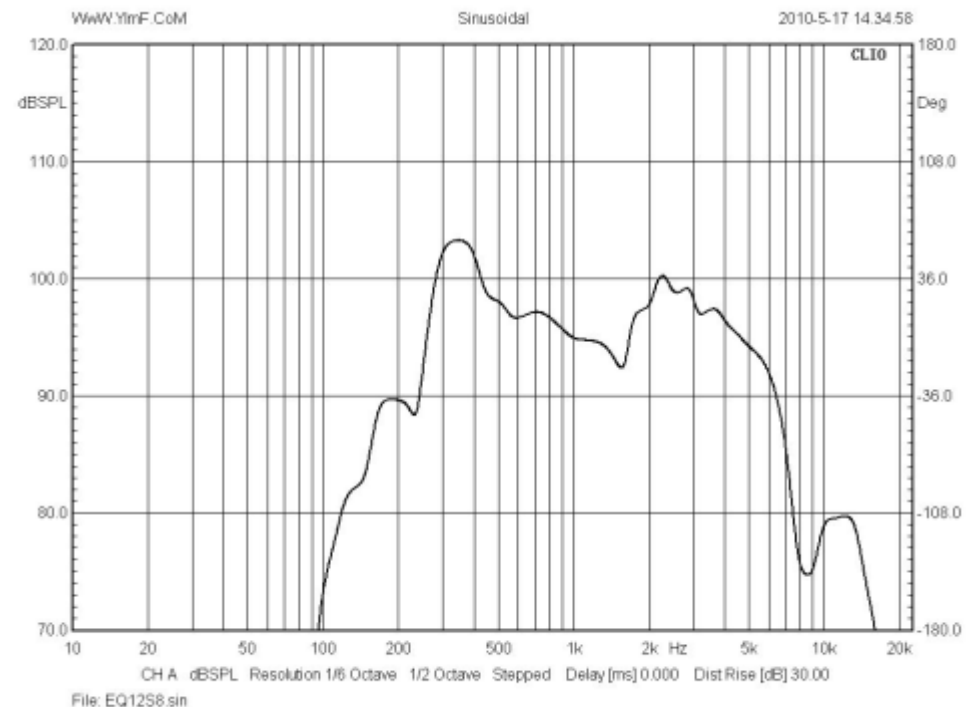
## Materials of Construction

Aluminum voice coil  
Polyimide former  
Ferrite magnet  
Vented and extended core  
Stamped steel basket  
Paper cone  
Cloth surround  
Solid composition paper dust cap

**EARTHQUAKE**  
**SOUND**  
Sound That Will Move You.



## Earthquake EQ12S8 Pro Audio Series



Earthquake Sound Corporation  
2727 McCone Avenue • Hayward, CA 94545 • phone: 800-576-7944  
fax: 510-732-1095 • www.earthquakesound.com