

BTA-250/IWS

IN-WALL AMPLIFIER & SENDER



Overview

The BTA-250 In-Wall Amplifier and IWS In-Wall Sender pack flexibility, power, and control all into one small and very discrete package. Each BTA-250 comes with the in-wall amplifier unit, B120R retrofit electrical box, 24VDC power supply, and a cable adapter. The IWS unit is sold separately and does not include a B120R retrofit electrical box.

The BTA-250 two-channel stereo amplifier can accept signal through the front panel 3.5mm stereo mini jack or via Bluetooth® connection. It can produce 50 WRMS per channel at 4-Ohm. For added convenience, the BTA-250 also features a front mounted volume control knob.

Designed to fit in most standard single-gang junction box, the BTA-250 and IWS can be easily installed into any new or pre-existing constructions (homes, bars, restaurants, garages, hotel rooms, etc.). The BTA-250 and IWS make listening to your favorite music or movies in any room easy with the push of a button.

BTA-250 FEATURES:

- Three Input In-Wall Amplifier
- Flex Power 12 - 24VDC
- Bluetooth® Compatible
- 3.5mm Line Input
- PoE & Balanced Audio In
- Supports Cat 5/6
- Easy Installation

IWS FEATURES:

- 2-Channel Balanced Output Pre-amp
- 4 Volts Balanced Stereo Signal
- Cat 5/6 PoE+Signal
- Up To 200 Feet Noise-Free Audio
- Multi-Room Solution
- High Voltage Balanced Transport™
- Works With Earthquake BTA-250
- Easy Installation

MULTI-ROOM SOLUTION Cat 5/6 PoE + Signal Support

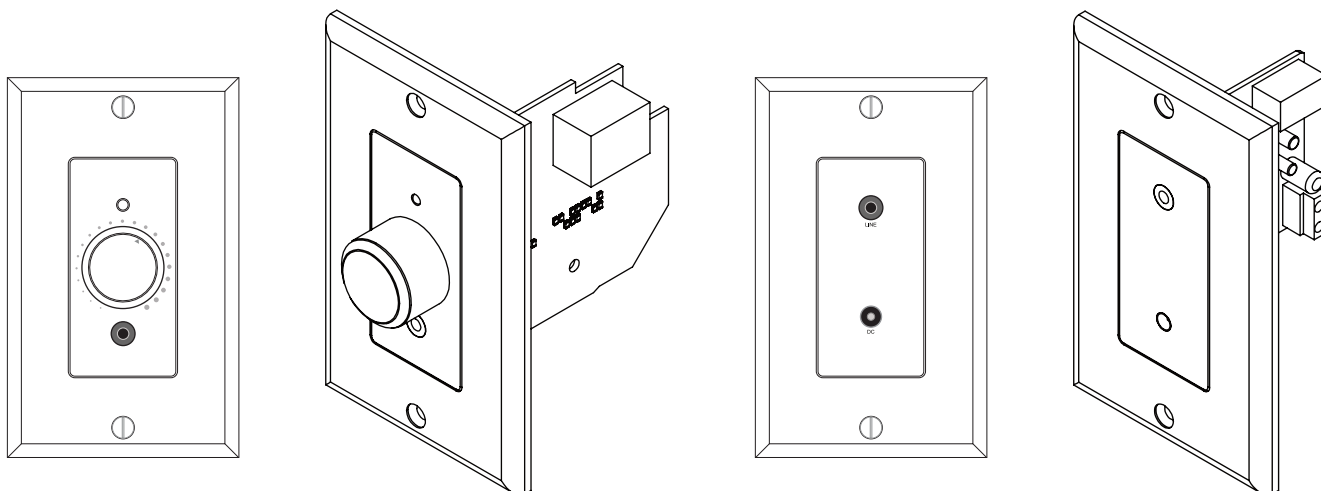


BTA-250
MSRP: \$139.00

IWS
MSRP: \$65.00

BTA-250/IWS SPECS & DIMS

In-Wall Amplifier & Sender



BTA-250 SPECS

Output Power	2 x 50 WRMS @ 4-Ohm 2 x 25 WRMS @ 8-Ohm
Freq. Response	20Hz - 20kHz
THD	< 0.1% @ 1kHz
Signal-to-Noise	95 dB @ 4-Ohm 1kHz
Input Impedance	20kOhm
Input Sensitivity	.01 - 1 V
Wireless Range	Up to 32.8 feet (10m)
Power Supply	12 - 24VDC

IWS SPECS

Audio Input	20Hz - 20kHz
Output	< 0.1% @ 1kHz
Power Range	95 dB @ 4-Ohm 1kHz
S/N	105dBA

BTA-250 DIMS

Height	4.53" (115mm)
Width	2.76" (70mm)
Depth	3.91" (99.4mm)
Mounting Depth	0.9" (22.9mm)

IWS DIMS

Height	4.53" (115mm)
Width	2.76" (70mm)
Depth	1.89" (48.21mm)
Mounting Depth	1.75" (44.45mm)

BTA-250

MSRP: \$139.00

IWS

MSRP: \$65.00



Earthquake Sound Corporation
 2727 McCone Avenue, Hayward, CA 94545 • Phone: 510.732.1000 • Fax: 510.732.1095
www.earthquakesound.com